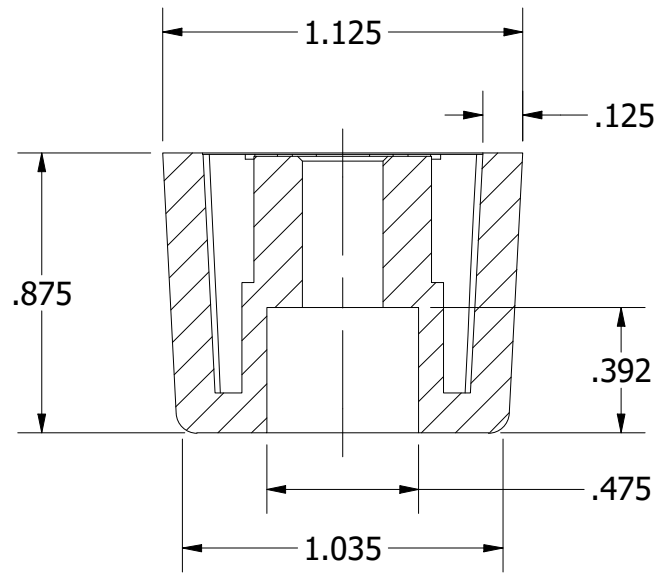


SECTION A-A



				UNLESS OTHERWISE SPECIFIED	DRAWN	2/17/2016		BUDWIG COMPANY, INC.			
				DIMENSIONS ARE IN INCHES TOLERANCE: ±.010	CHECKED						
C	REMOVED RADIUS FROM BORE	8/18/2019		MATERIAL: Monsanto Santoprene Thermoplastic Rubber	MFG	TITLE TF10T-					
B	CHANGED .525 HOLE TO .475	2/19/2018			APPROVED						
REV.	DESCRIPTION	DATE	APPROVED	COMMENTS:		SIZE A	DWG NO TF10T-	REV C			
REVISIONS						SCALE	SHEET 1 OF 1				
PROPRIETARY AND CONFIDENTIAL THE INFORMATION CONTAINED IN THIS DRAWING IS THE SOLE PROPERTY OF BUDWIG COMPANY, INC. ANY REPRODUCTION IN PART OR AS A WHOLE WITHOUT THE WRITTEN PERMISSION OF BUDWIG COMPANY, INC. IS PROHIBITED.											