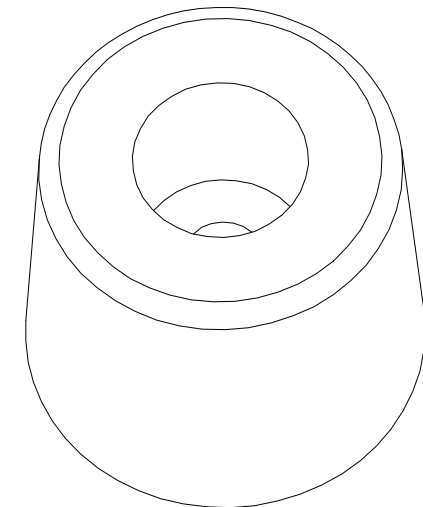
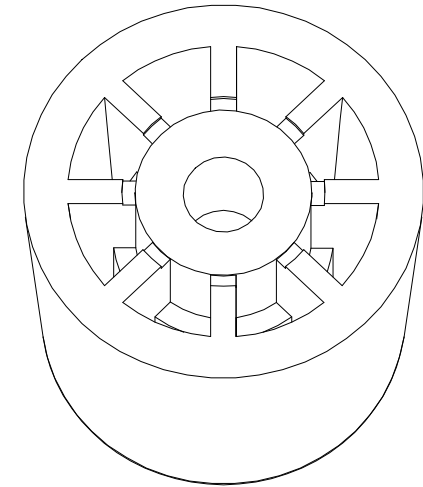
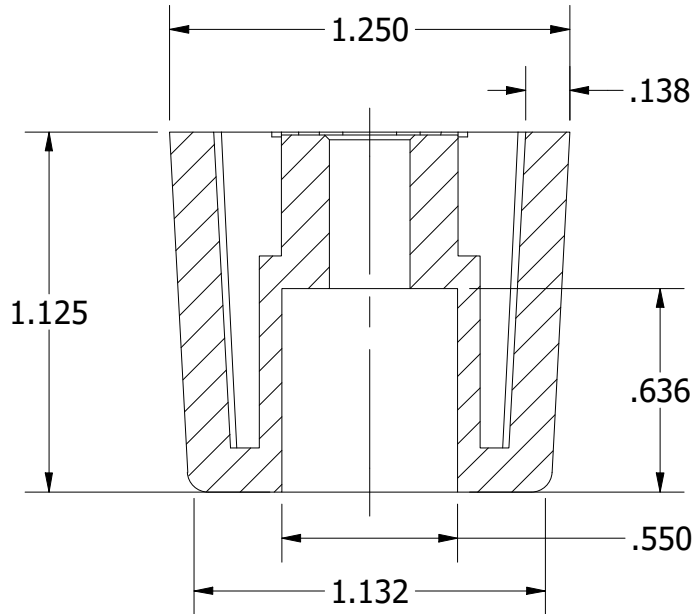


SECTION A-A



				UNLESS OTHERWISE SPECIFIED	DRAWN	2/17/2016		BUDWIG COMPANY, INC.	
				DIMENSIONS ARE IN INCHES TOLERANCE: $\pm .010$	CHECKED				
B	REMOVED RADIUS FROM BORE	8/18/2019		MATERIAL:	MFG	TITLE TF10-1T-			
REV.	DESCRIPTION	DATE	APPROVED	Monsanto Santoprene Thermoplastic Rubber	APPROVED				
REVISIONS				COMMENTS:	SIZE A	DWG NO TF10-1T-	REV B		
<p>PROPRIETARY AND CONFIDENTIAL THE INFORMATION CONTAINED IN THIS DRAWING IS THE SOLE PROPERTY OF BUDWIG COMPANY, INC. ANY REPRODUCTION IN PART OR AS A WHOLE WITHOUT THE WRITTEN PERMISSION OF BUDWIG COMPANY, INC. IS PROHIBITED.</p>					SCALE	SHEET 1 OF 1			