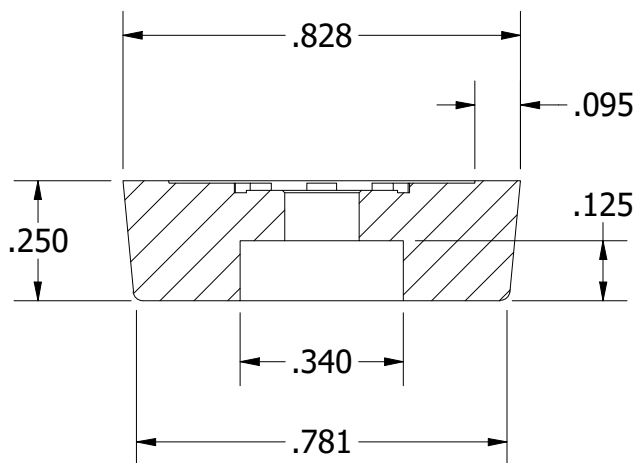


SECTION A-A



				UNLESS OTHERWISE SPECIFIED	DRAWN	8/18/2019		<b>BUDWIG COMPANY, INC.</b>		
				DIMENSIONS ARE IN INCHES TOLERANCE: ±.010	CHECKED					
				MATERIAL:	MFG	TITLE <b>SF6-2T</b>				
				Monsanto Santoprene Thermoplastic Rubber	APPROVED					
REV.	DESCRIPTION	DATE	APPROVED	COMMENTS:			SIZE A	DWG NO SF6-2T	REV A	
REVISIONS							SCALE	SHEET 1 OF 1		
<p><b>PROPRIETARY AND CONFIDENTIAL</b> THE INFORMATION CONTAINED IN THIS DRAWING IS THE SOLE PROPERTY OF BUDWIG COMPANY, INC. ANY REPRODUCTION IN PART OR AS A WHOLE WITHOUT THE WRITTEN PERMISSION OF BUDWIG COMPANY, INC. IS PROHIBITED.</p>										