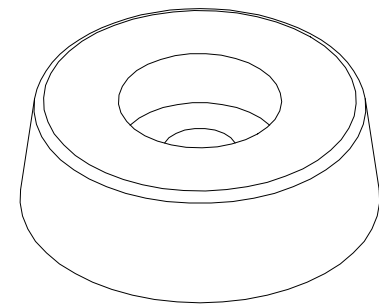
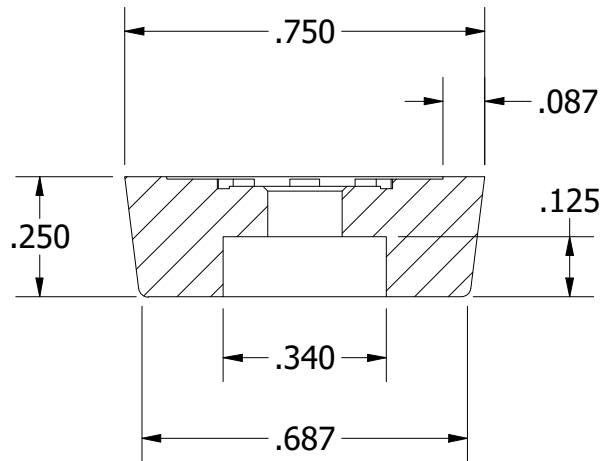


SECTION A-A



				UNLESS OTHERWISE SPECIFIED	DRAWN	8/18/2019		BUDWIG COMPANY, INC.		
				DIMENSIONS ARE IN INCHES TOLERANCE: ±.010	CHECKED					
				MATERIAL:	MFG			TITLE SF6-1T		
				Monsanto Santoprene Thermoplastic Rubber	APPROVED					
REV.	DESCRIPTION	DATE	APPROVED	REVISIONS				SIZE	DWG NO	REV
				COMMENTS:				A	SF6-1T	A
<p>PROPRIETARY AND CONFIDENTIAL THE INFORMATION CONTAINED IN THIS DRAWING IS THE SOLE PROPERTY OF BUDWIG COMPANY, INC. ANY REPRODUCTION IN PART OR AS A WHOLE WITHOUT THE WRITTEN PERMISSION OF BUDWIG COMPANY, INC. IS PROHIBITED.</p>								SCALE		SHEET 1 OF 1