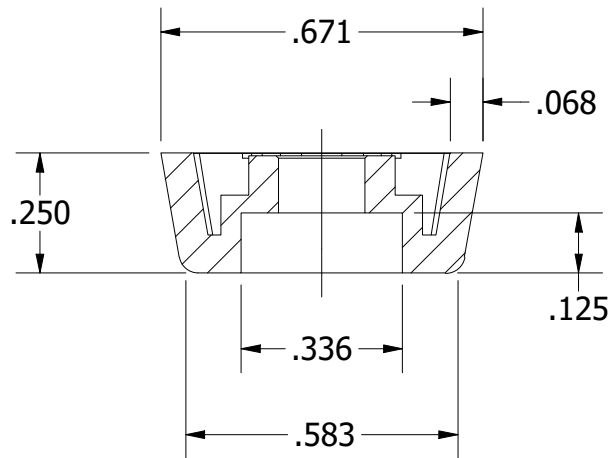


SECTION A-A



				UNLESS OTHERWISE SPECIFIED	DRAWN	11/3/2018		BUDWIG COMPANY, INC.	
				DIMENSIONS ARE IN INCHES TOLERANCE: ±.010	CHECKED				
B	ADDED R.04 TO CORNER	11/1/18		MATERIAL:	MFG	TITLE SF6T-			
REV.	DESCRIPTION	DATE	APPROVED	Monsanto Santoprene Thermoplastic Rubber	APPROVED				
REVISIONS				COMMENTS:			SIZE A	DWG NO SF6T-	REV B
PROPRIETARY AND CONFIDENTIAL THE INFORMATION CONTAINED IN THIS DRAWING IS THE SOLE PROPERTY OF BUDWIG COMPANY, INC. ANY REPRODUCTION IN PART OR AS A WHOLE WITHOUT THE WRITTEN PERMISSION OF BUDWIG COMPANY, INC. IS PROHIBITED.							SCALE	SHEET 1 OF 1	