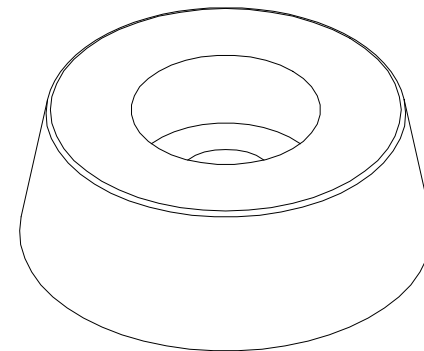
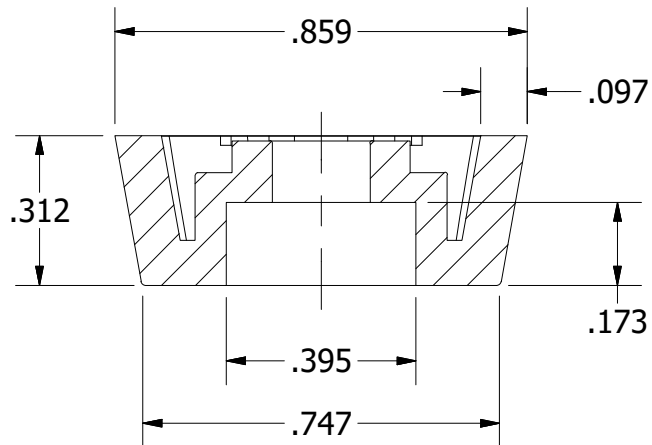


SECTION A-A



				UNLESS OTHERWISE SPECIFIED	DRAWN	BUDWIG COMPANY, INC.		
				DIMENSIONS ARE IN INCHES TOLERANCE: ±.010	CHECKED			
				MATERIAL:	MFG	TITLE SF8T-		
				Monsanto Santoprene Thermoplastic Rubber	APPROVED			
REV.	DESCRIPTION	DATE	APPROVED	COMMENTS:		SIZE A	DWG NO SF8T-	REV A
REVISIONS						SCALE	SHEET 1 OF 1	
<p>PROPRIETARY AND CONFIDENTIAL THE INFORMATION CONTAINED IN THIS DRAWING IS THE SOLE PROPERTY OF BUDWIG COMPANY, INC. ANY REPRODUCTION IN PART OR AS A WHOLE WITHOUT THE WRITTEN PERMISSION OF BUDWIG COMPANY, INC. IS PROHIBITED.</p>								