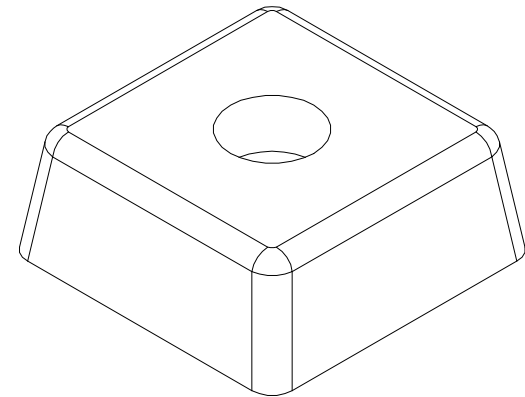
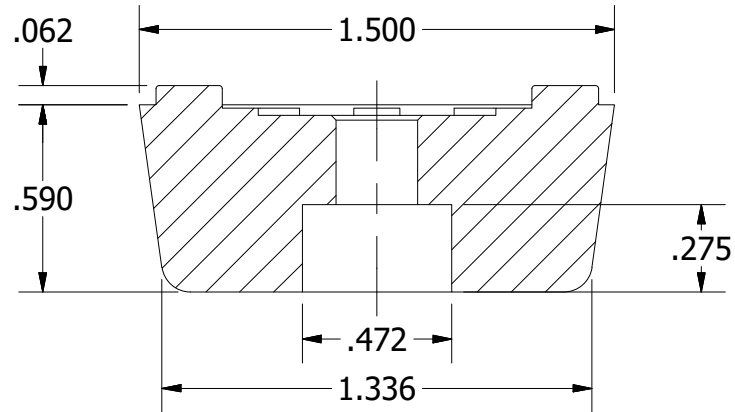


SECTION A-A



				UNLESS OTHERWISE SPECIFIED	DRAWN	11/21/2015		BUDWIG COMPANY, INC.	
				DIMENSIONS ARE IN INCHES TOLERANCE: ±0.01	CHECKED				
				MATERIAL:	MFG	TITLE SQF10-1T-			
				Monsanto Santoprene Thermoplastic Rubber	APPROVED				
REV.	DESCRIPTION	DATE	APPROVED	REVISIONS			SIZE	DWG NO	REV
				COMMENTS:			A	SQF10-1T-	A
<p>PROPRIETARY AND CONFIDENTIAL THE INFORMATION CONTAINED IN THIS DRAWING IS THE SOLE PROPERTY OF BUDWIG COMPANY, INC. ANY REPRODUCTION IN PART OR AS A WHOLE WITHOUT THE WRITTEN PERMISSION OF BUDWIG COMPANY, INC. IS PROHIBITED.</p>							SCALE	SHEET 1 OF 1	