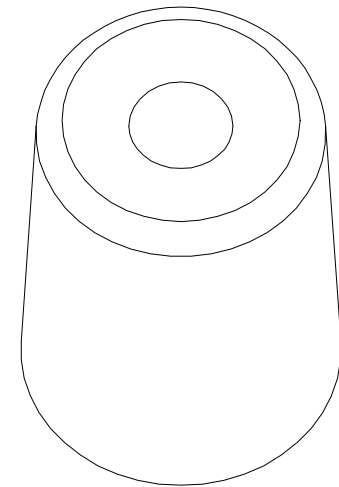
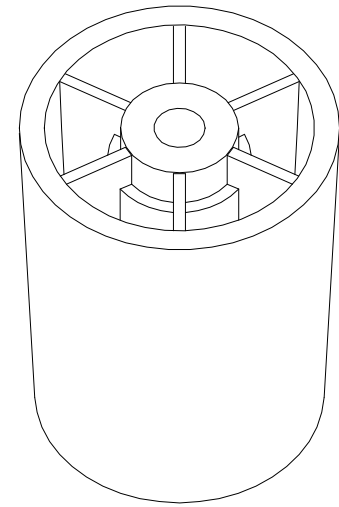
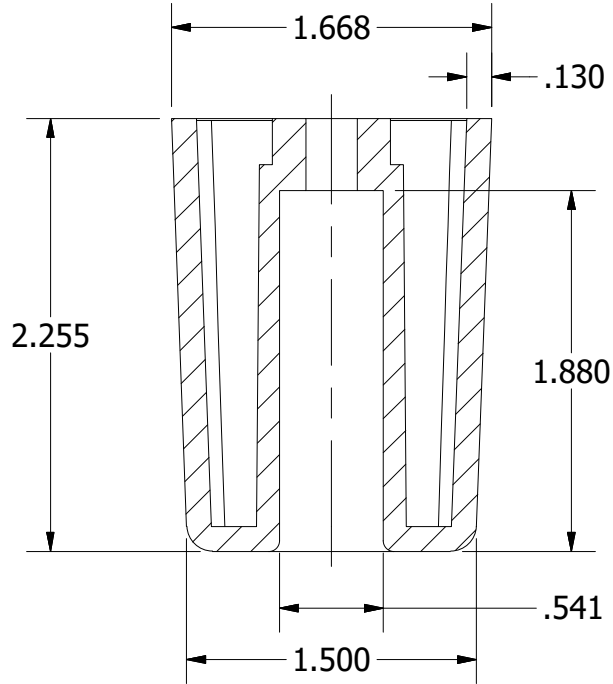


SECTION A-A



				UNLESS OTHERWISE SPECIFIED	DRAWN	2/17/2016		BUDWIG COMPANY, INC.	
				DIMENSIONS ARE IN INCHES TOLERANCE: $\pm .010$	CHECKED				
				MATERIAL:	MFG	TITLE F-070-			
REV.	DESCRIPTION	DATE	APPROVED	Monsanto Santoprene Thermoplastic Rubber	APPROVED				
REVISIONS				COMMENTS:			SIZE A	DWG NO F-070-	REV A
<p>PROPRIETARY AND CONFIDENTIAL THE INFORMATION CONTAINED IN THIS DRAWING IS THE SOLE PROPERTY OF BUDWIG COMPANY, INC. ANY REPRODUCTION IN PART OR AS A WHOLE WITHOUT THE WRITTEN PERMISSION OF BUDWIG COMPANY, INC. IS PROHIBITED.</p>							SCALE	SHEET 1 OF 1	