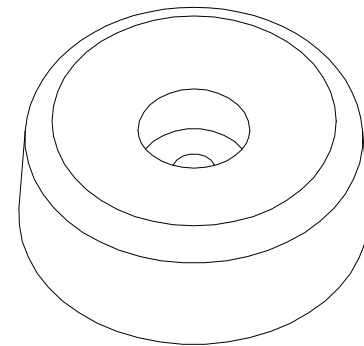
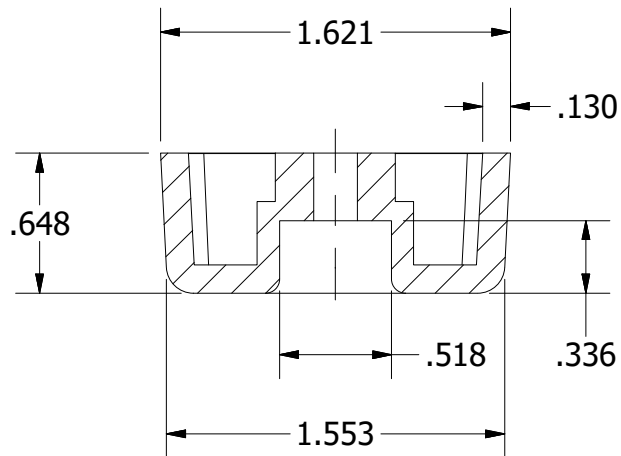


SECTION A-A



				UNLESS OTHERWISE SPECIFIED	DRAWN	2/17/2016	<b>BUDWIG COMPANY, INC.</b>		
				DIMENSIONS ARE IN INCHES TOLERANCE: ±.010	CHECKED				
				MATERIAL:	MFG		TITLE <b>F-067-</b>		
				Monsanto Santoprene Thermoplastic Rubber	APPROVED				
REV.	DESCRIPTION	DATE	APPROVED	REVISIONS			SIZE <b>A</b>	DWG NO <b>F-067-</b>	REV <b>A</b>
<p><b>PROPRIETARY AND CONFIDENTIAL</b> THE INFORMATION CONTAINED IN THIS DRAWING IS THE SOLE PROPERTY OF BUDWIG COMPANY, INC. ANY REPRODUCTION IN PART OR AS A WHOLE WITHOUT THE WRITTEN PERMISSION OF BUDWIG COMPANY, INC. IS PROHIBITED.</p>				COMMENTS:			SCALE	SHEET 1 OF 1	