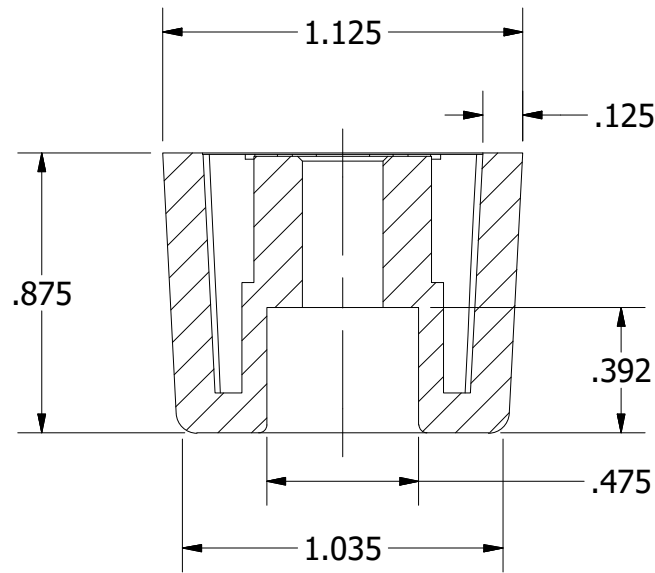


SECTION A-A



				UNLESS OTHERWISE SPECIFIED	DRAWN	2/17/2016	<b>BUDWIG COMPANY, INC.</b>	
				DIMENSIONS ARE IN INCHES TOLERANCE: ±.010	CHECKED			
B	CHANGED .525 HOLE TO .475	2/19/2018		MATERIAL:	MFG	TITLE <b>TF10T-</b>		
REV.	DESCRIPTION	DATE	APPROVED	Monsanto Santoprene Thermoplastic Rubber	APPROVED			
REVISIONS				COMMENTS:	SIZE A	DWG NO TF10T-	REV B	
<b>PROPRIETARY AND CONFIDENTIAL</b> THE INFORMATION CONTAINED IN THIS DRAWING IS THE SOLE PROPERTY OF BUDWIG COMPANY, INC. ANY REPRODUCTION IN PART OR AS A WHOLE WITHOUT THE WRITTEN PERMISSION OF BUDWIG COMPANY, INC. IS PROHIBITED.					SCALE		SHEET 1 OF 1	