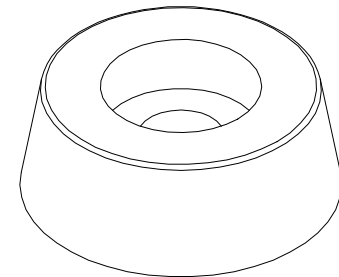
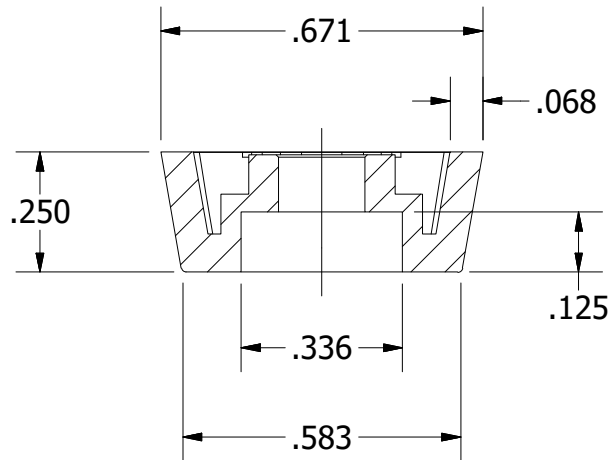


SECTION A-A



				UNLESS OTHERWISE SPECIFIED	DRAWN	BUDWIG COMPANY, INC.			
				DIMENSIONS ARE IN INCHES TOLERANCE: $\pm .010$	CHECKED				
				MATERIAL:	MFG	TITLE SF6T-			
				Monsanto Santoprene Thermoplastic Rubber	APPROVED				
REV.	DESCRIPTION	DATE	APPROVED	COMMENTS:			SIZE A	DWG NO SF6T-	REV A
REVISIONS							SCALE	SHEET 1 OF 1	
<p>PROPRIETARY AND CONFIDENTIAL THE INFORMATION CONTAINED IN THIS DRAWING IS THE SOLE PROPERTY OF BUDWIG COMPANY, INC. ANY REPRODUCTION IN PART OR AS A WHOLE WITHOUT THE WRITTEN PERMISSION OF BUDWIG COMPANY, INC. IS PROHIBITED.</p>									