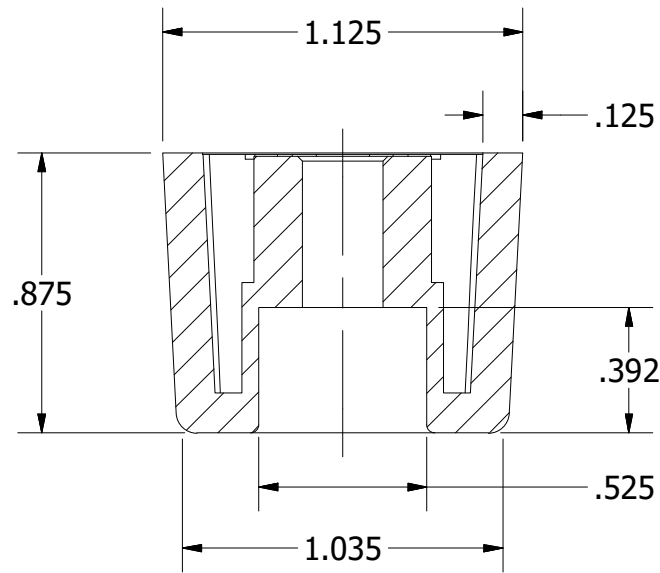


SECTION A-A



				UNLESS OTHERWISE SPECIFIED	DRAWN	2/17/2016		<b>BUDWIG COMPANY, INC.</b>	
				DIMENSIONS ARE IN INCHES TOLERANCE: ±.010	CHECKED				
				MATERIAL:	MFG	TITLE			
				Monsanto Santoprene Thermoplastic Rubber	APPROVED				
REV.	DESCRIPTION	DATE	APPROVED	COMMENTS:			SIZE	DWG NO	REV
REVISIONS							A	TF10T-	A
<b>PROPRIETARY AND CONFIDENTIAL</b> THE INFORMATION CONTAINED IN THIS DRAWING IS THE SOLE PROPERTY OF BUDWIG COMPANY, INC. ANY REPRODUCTION IN PART OR AS A WHOLE WITHOUT THE WRITTEN PERMISSION OF BUDWIG COMPANY, INC. IS PROHIBITED.							SCALE	SHEET 1 OF 1	