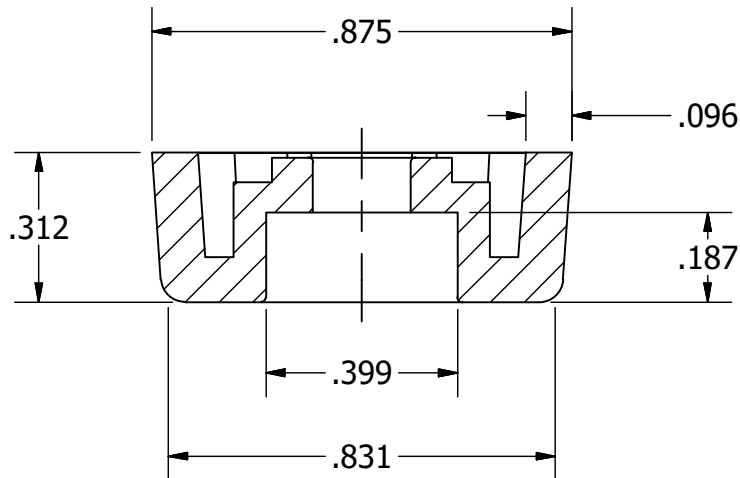


SECTION A-A



				UNLESS OTHERWISE SPECIFIED		DRAWN		2/17/2016		BUDWIG COMPANY, INC.	
				DIMENSIONS ARE IN INCHES TOLERANCE: ±.010		CHECKED					
				MATERIAL:		MFG				TITLE SF8T-	
				Monsanto Santoprene Thermoplastic Rubber		APPROVED					
REVISIONS				COMMENTS:		SIZE		DWG NO		REV	
REV.	DESCRIPTION	DATE	APPROVED			A		SF8T-		A	
PROPRIETARY AND CONFIDENTIAL THE INFORMATION CONTAINED IN THIS DRAWING IS THE SOLE PROPERTY OF BUDWIG COMPANY, INC. ANY REPRODUCTION IN PART OR AS A WHOLE WITHOUT THE WRITTEN PERMISSION OF BUDWIG COMPANY, INC. IS PROHIBITED.						SCALE				SHEET 1 OF 1	