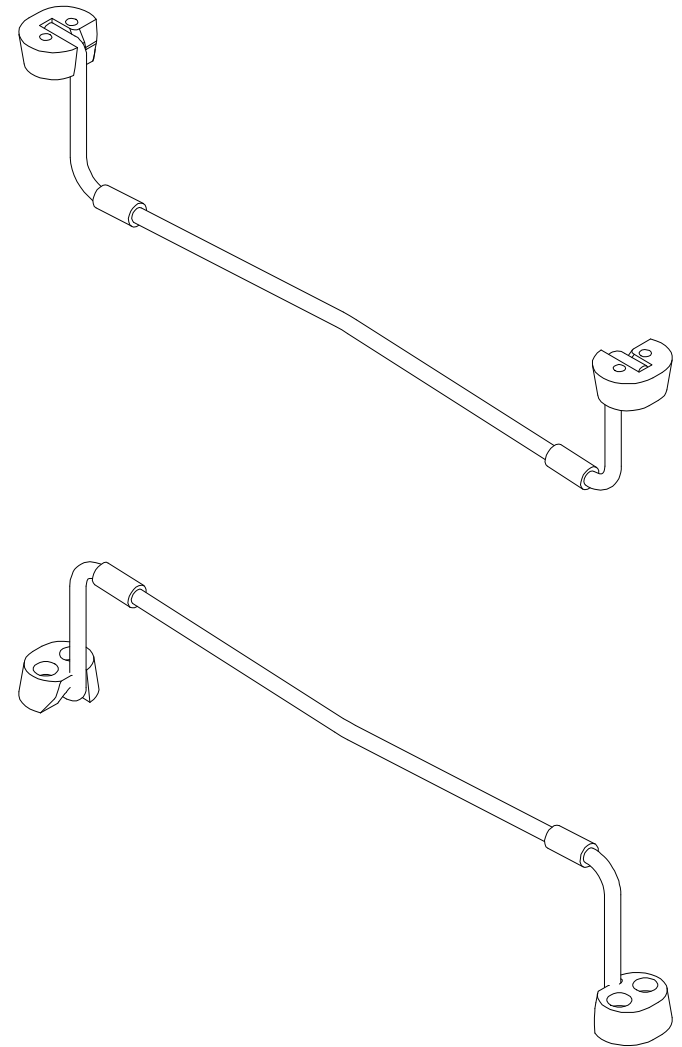


SECTION B-B
SCALE 1 : 1



				DRAWN	2/17/2016	BUDWIG COMPANY, INC.		
				CHECKED				
				MATERIAL: 3/16" Bright Basic Wire Powder Coated Gloss Black	MFG	TITLE CTS 9.0X2.0		
REVISIONS				APPROVED				
REV.	DESCRIPTION	DATE	APPROVED	COMMENTS:		SIZE A	DWG NO CTS 9.0X2.0	REV
<p>PROPRIETARY AND CONFIDENTIAL THE INFORMATION CONTAINED IN THIS DRAWING IS THE SOLE PROPERTY OF BUDWIG COMPANY, INC. ANY REPRODUCTION IN PART OR AS A WHOLE WITHOUT THE WRITTEN PERMISSION OF BUDWIG COMPANY, INC. IS PROHIBITED.</p>						SCALE		SHEET 1 OF 1