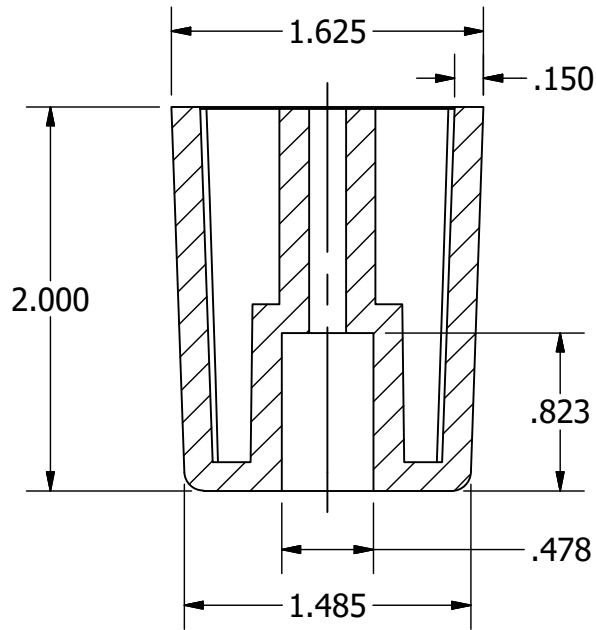


SECTION A-A



DRAWN	2/17/2016
CHECKED	
MFG	
APPROVED	

MATERIAL:
Monsanto Santoprene
Thermoplastic Rubber

BUDWIG COMPANY, INC.

TITLE
F-071-

REV.	DESCRIPTION	DATE	APPROVED
REVISIONS			

COMMENTS:

SIZE A	DWG NO F-071-	REV
SCALE	SHEET 1 OF 1	

PROPRIETARY AND CONFIDENTIAL
THE INFORMATION CONTAINED IN THIS DRAWING IS THE SOLE PROPERTY OF BUDWIG COMPANY, INC. ANY REPRODUCTION IN PART OR AS A WHOLE WITHOUT THE WRITTEN PERMISSION OF BUDWIG COMPANY, INC. IS PROHIBITED.