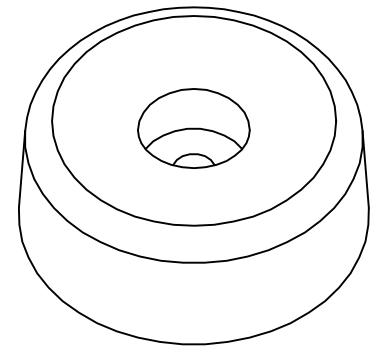
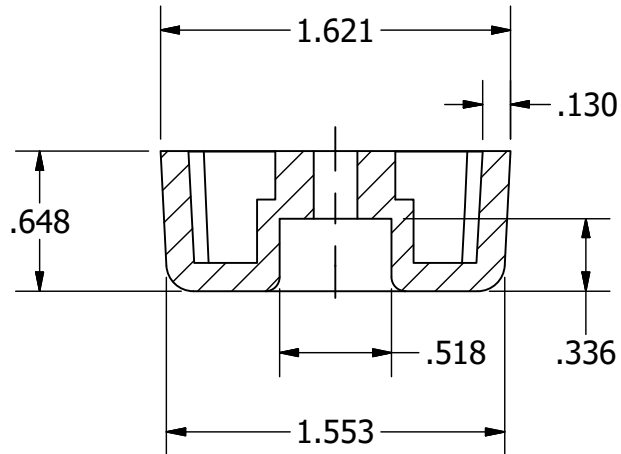


SECTION A-A



				DRAWN		2/17/2016		BUDWIG COMPANY, INC.		
				CHECKED						
				MATERIAL: Monsanto Santoprene Thermoplastic Rubber		MFG		TITLE F-067-		
REVISIONS				APPROVED						
REV.	DESCRIPTION	DATE	APPROVED	COMMENTS:		SIZE A		DWG NO F-067-		REV
<p>PROPRIETARY AND CONFIDENTIAL THE INFORMATION CONTAINED IN THIS DRAWING IS THE SOLE PROPERTY OF BUDWIG COMPANY, INC. ANY REPRODUCTION IN PART OR AS A WHOLE WITHOUT THE WRITTEN PERMISSION OF BUDWIG COMPANY, INC. IS PROHIBITED.</p>						SCALE				SHEET 1 OF 1