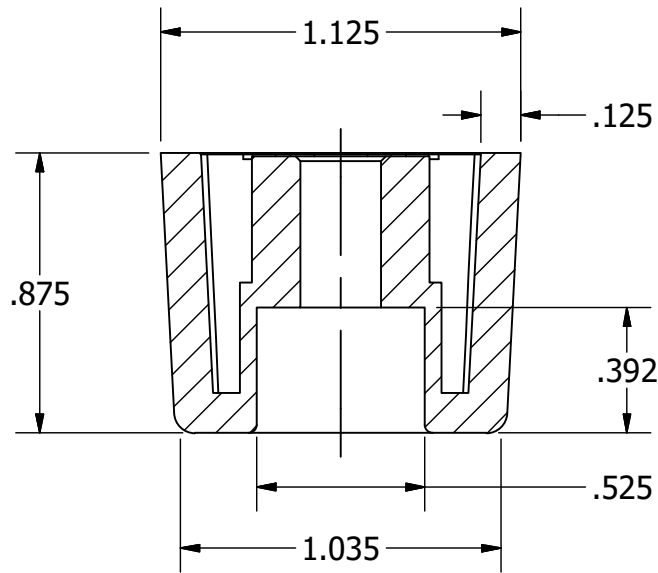


SECTION A-A



				DRAWN		2/17/2016		BUDWIG COMPANY, INC.			
				CHECKED							
				MATERIAL: Monsanto Santoprene Thermoplastic Rubber		MFG		TITLE TF10T-			
REVISIONS				APPROVED							
REV.	DESCRIPTION	DATE	APPROVED	COMMENTS:				SIZE A	DWG NO TF10T-		REV
<p>PROPRIETARY AND CONFIDENTIAL THE INFORMATION CONTAINED IN THIS DRAWING IS THE SOLE PROPERTY OF BUDWIG COMPANY, INC. ANY REPRODUCTION IN PART OR AS A WHOLE WITHOUT THE WRITTEN PERMISSION OF BUDWIG COMPANY, INC. IS PROHIBITED.</p>								SCALE		SHEET 1 OF 1	