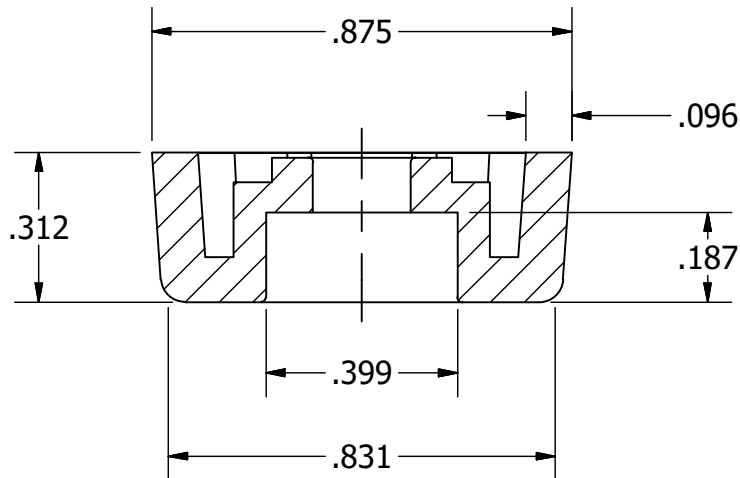


SECTION A-A



				DRAWN		2/17/2016		BUDWIG COMPANY, INC.	
				CHECKED					
				MATERIAL: Monsanto Santoprene Thermoplastic Rubber		MFG		TITLE SF8T-	
REVISIONS				APPROVED					
REV.	DESCRIPTION	DATE	APPROVED	COMMENTS:		SIZE A	DWG NO SF8T-		REV
<p>PROPRIETARY AND CONFIDENTIAL THE INFORMATION CONTAINED IN THIS DRAWING IS THE SOLE PROPERTY OF BUDWIG COMPANY, INC. ANY REPRODUCTION IN PART OR AS A WHOLE WITHOUT THE WRITTEN PERMISSION OF BUDWIG COMPANY, INC. IS PROHIBITED.</p>						SCALE		SHEET 1 OF 1	