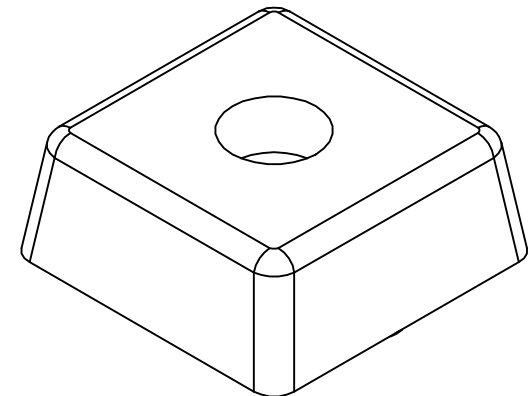
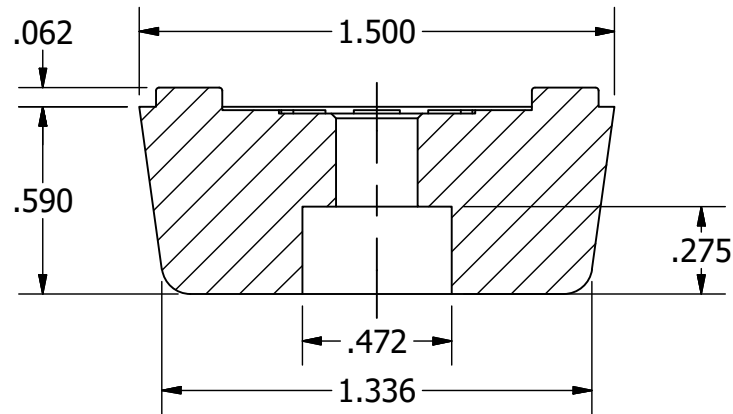


SECTION A-A



				DRAWN		11/21/2015		BUDWIG COMPANY, INC.	
				CHECKED					
				MATERIAL: Monsanto Santoprene Thermoplastic Rubber		MFG		TITLE SQF10-1T-	
REV. DESCRIPTION DATE APPROVED				APPROVED					
REVISIONS				COMMENTS:		SIZE A		DWG NO SQF10-1T-	
<p>PROPRIETARY AND CONFIDENTIAL THE INFORMATION CONTAINED IN THIS DRAWING IS THE SOLE PROPERTY OF BUDWIG COMPANY, INC. ANY REPRODUCTION IN PART OR AS A WHOLE WITHOUT THE WRITTEN PERMISSION OF BUDWIG COMPANY, INC. IS PROHIBITED.</p>						SCALE		REV	
								SHEET 1 OF 1	