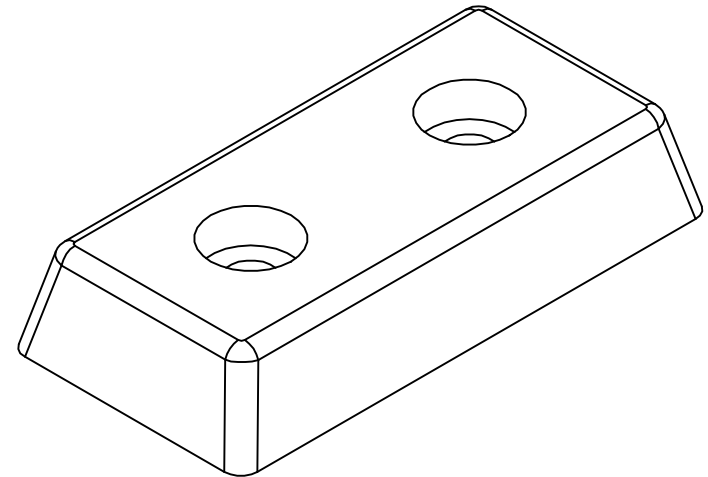
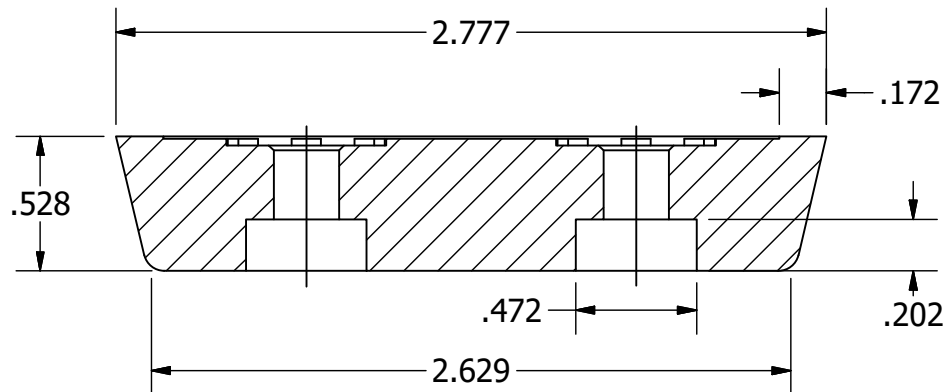


SECTION A-A



				DRAWN	9/13/2015	BUDWIG COMPANY, INC.		
				CHECKED				
				MATERIAL: Monsanto Santoprene Thermoplastic Rubber	MFG	TITLE RF10T-		
REV.	DESCRIPTION	DATE	APPROVED	APPROVED				
REVISIONS				COMMENTS:		SIZE A	DWG NO RF10T-	REV
<p>PROPRIETARY AND CONFIDENTIAL THE INFORMATION CONTAINED IN THIS DRAWING IS THE SOLE PROPERTY OF BUDWIG COMPANY, INC. ANY REPRODUCTION IN PART OR AS A WHOLE WITHOUT THE WRITTEN PERMISSION OF BUDWIG COMPANY, INC. IS PROHIBITED.</p>						SCALE		SHEET 1 OF 1